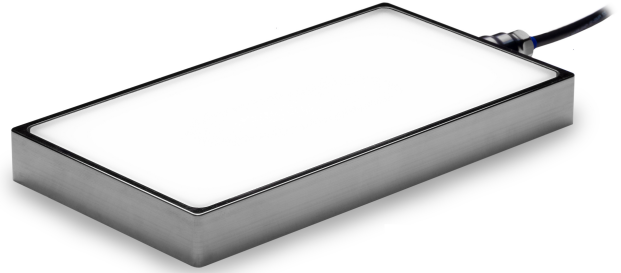


### Product Highlights

- Built for extreme environments, our IP69K certified lights are specifically engineered to withstand everything from prolonged liquid immersion to high-pressure steam cleaning and corrosive washdown solutions.



*\* Patent Pending*

### General Specifications

	Color	24V Current	All Other Controls
Electrical Specifications	660, 880	0.03A per sq. inch	0.018A Max per sq. inch
	470, 520, WHI	0.02A per sq. inch	0.015A Max per sq. inch
Normal Operating Temperature	0-60°C		
Weight	4" x 8" unit - 635g (22.4oz)		
Cable Information	2 meters long (80") - 105°C rated PVC jacket, foil shield with drain.		
Photobiological Risk Factor	Exempt Applicable Wavelengths: 880		
	Group 1 (Low Risk) Applicable Wavelengths: 470, 520, 660, WHI		
Compliance	CE, RoHS, IEC 62471		
IP Rating	IP69K Certified		
Lumen Maintenance	L70 = 50,000 Hours		

## Part Number Key

Model	-	Length	Width	Wavelength	Connector /Control	-	Alternative Connector (Optional)
BL245	-	XX	YY	XXX	XX	-	XXX
BL245	-	IN 1" INCREMENTS FROM 2" TO 12"	IN 1" INCREMENTS FROM 2" TO 12"	(BLUE) 470 (GREEN) 520 (RED) 660 (IR) 880 (WHITE) WHI	C1 C5 IC I3 I3S 24	-	M12 <sup>1</sup>

Ex: BL245-0412WHI3-M12  
BL245-1212660C1

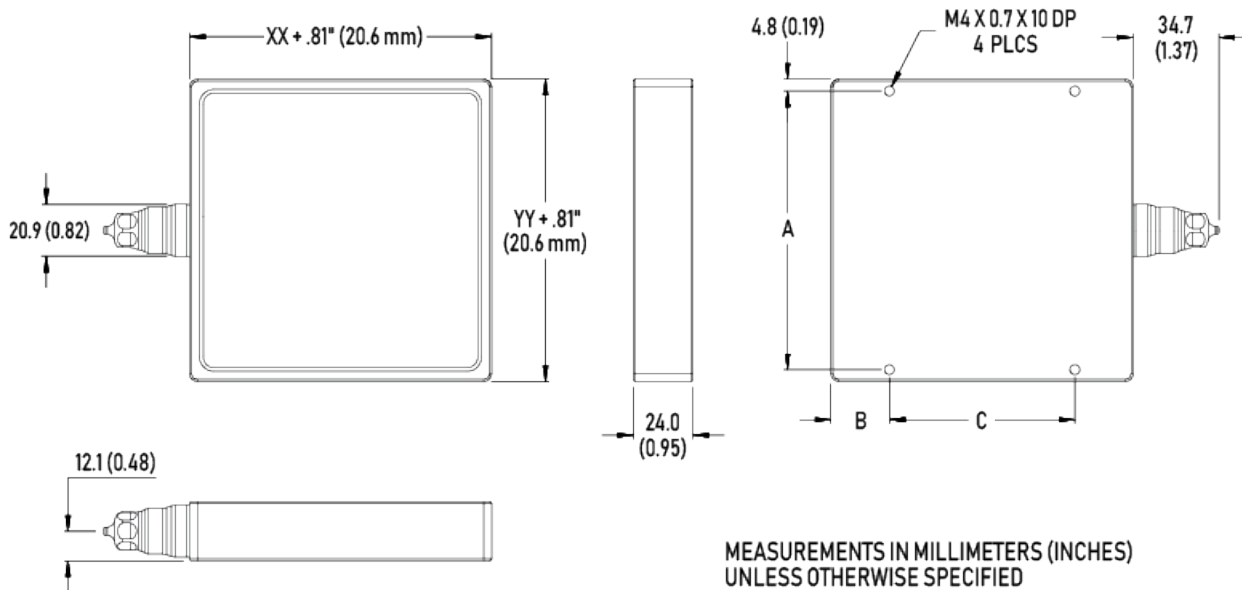
STANDARD SIZES THAT SHIP WITHIN 2 WEEKS

<sup>1</sup> AVAILABLE WITH IC, I3, and I3S

BL245-0404	BL245-0804
BL245-0606	BL245-1208
BL245-0808	BL245-1212

CONTACT SALES FOR SIZES BEYOND 12" X 12"

## Mechanical Specs

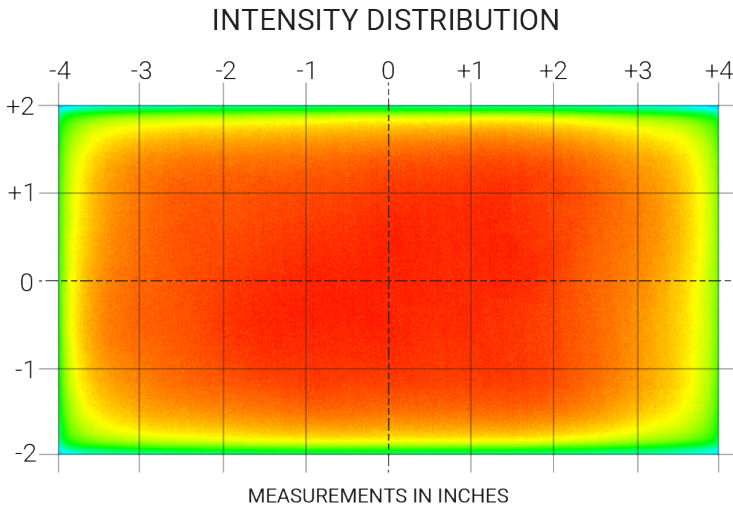


BUILD-TO-ORDER SIZE CHART

BL245-XXYY	XX LENGTH	YY WIDTH	A	B	C
BL245-0404	122.2 (4.81)	122.2 (4.81)	112.6 (4.43)	23.6 (0.93)	75.0 (2.95)
BL245-0606	173.0 (6.81)	173.0 (6.81)	163.4 (6.43)	36.5 (1.44)	100.0 (3.94)
BL245-0804	223.8 (8.81)	122.2 (4.81)	112.6 (4.43)	49.4 (1.94)	125.0 (4.92)
BL245-0808	223.8 (8.81)	223.8 (8.81)	214.2 (8.43)	49.4 (1.94)	125.0 (4.92)
BL245-1208	325.4 (12.81)	223.8 (8.81)	214.2 (8.43)	75.2 (2.96)	175.0 (6.89)
BL245-1212	325.4 (12.81)	325.4 (12.81)	315.8 (12.43)	75.2 (2.96)	175.0 (6.89)

CONTACT SALES FOR ADDITIONAL SIZES

## Optical Specs



### INTENSITY LEVELS

	100% - 80%	15,000 - 12,000 lux 49,000 - 39,200 W/M <sup>2</sup>
	80% - 60%	12,000 - 9,000 lux 39,200 - 29,400 W/M <sup>2</sup>
	60% - 40%	9,000 - 6,000 lux 29,400 - 19,600 W/M <sup>2</sup>
	40% - 20%	6,000 - 3,000 lux 19,600 - 9,800 W/M <sup>2</sup>
	20% - 0%	3,000 - 0 lux 9,800 - 0 W/M <sup>2</sup>

OPTICAL MEASUREMENTS TAKEN AT THE DIFFUSER SURFACE USING 4" x 8" WHITE LED MODEL

## Electrical Specs

### ICS 2 (IC)

PIN (M12)	FUNCTION	WIRE COLOR
1	24V DC	BROWN
2	0-10V ANALOG CONTROL	WHITE
3	DC GND	BLUE
4	GLO	BLACK
5	N/A	GRAY

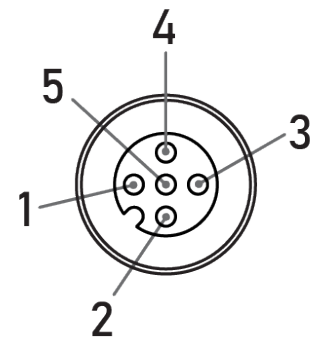
### ICS 3 (I3 & I3S)

PIN (M12)	FUNCTION	WIRE COLOR
1	24V DC	BROWN
2	SHIELD	WHITE
3	DC GND	BLUE
4	PNP/ACTIVE HIGH TRIGGER	BLACK
5	0-10V ANALOG CONTROL	GRAY

### 24 VOLT

PIN (M12)	FUNCTION	WIRE COLOR
1	24V DC	BROWN
2	N/A	WHITE
3	DC GND	BLUE
4	N/A	BLACK
5	N/A	GRAY

### Optional M12 Pinout



MALE  
5-POSITION

## Control Specs

### C1 CONNECTOR

For use with:  
**DCS Series Controllers**  
Strobe/Continuous Controllers

### C5 CONNECTOR

For use with:  
**Pulsar 320**  
High Power Strobe Only Controller

### ICS 2 (IC)

In-line Continuous Controller  
  
Powered with:  
**24V Power Supply**

### ICS 3

In-line Strobe/Continuous Controller  
Default On  
Powered with:  
**24V Power Supply**

### ICS 3S (I3S)

In-line Strobe/Continuous Controller  
Default Off  
Powered with:  
**24V Power Supply**

### 24 VOLT

Flying/Tinned Leads  
  
Powered with:  
**24V Power Supply**

## Warranty Information

Every Advanced illumination, Inc. (Ai) product is thoroughly inspected and tested before leaving the factory. Products are warranted to be free of defects in workmanship and materials for a period of FIVE YEARS from the original date of purchase. Should a defect develop during this period, customers may return the complete product, freight prepaid, to one of Ai's distributors or to the Ai factory. All product warranty returns require a Return Merchandise Authorization (RMA) number which is obtained from Customer Service. The RMA number must be clearly marked on the outside of the package. Ai will inspect the unit, and if a defect is found will, at our option, repair or replace the product without charge. Ai disclaims liability for any implied warranties, including implied warranties of "merchantability" and "fitness for a specific purpose." For products under warranty that have since been discontinued, Ai will make an effort to replace with equivalent parts; for circumstances that do not allow for equivalent replacement, Ai reserves the right to repair or replace these products with an updated version. Ai cannot be held responsible for the unauthorized or inappropriate use of its products. Any unauthorized repair or modifications will result in a voided warranty.

No Liability for Consequential Damages: In no event shall Ai be liable for any consequential, special, incidental, or indirect damages of any kind arising from the sale or use of the products.

## Electromagnetic Compatibility

This product was tested and complies with the regulatory requirements and limits for electromagnetic compatibility (EMC) as stated in the product specifications. These requirements and limits are designed to provide reasonable protection against harmful interference only when the product is operated in its intended industrial electromagnetic environment. To minimize the potential for electromagnetic interference or unacceptable performance degradation, install and use this product in strict accordance with the instructions in the product documentation.



**R.J. Wilson, Inc.**  
*Imaging Components for Industry & Science*

**[www.rjwilson.com](http://www.rjwilson.com)**  
**[sales@rjwilson.com](mailto:sales@rjwilson.com)**  
**781-335-5500**