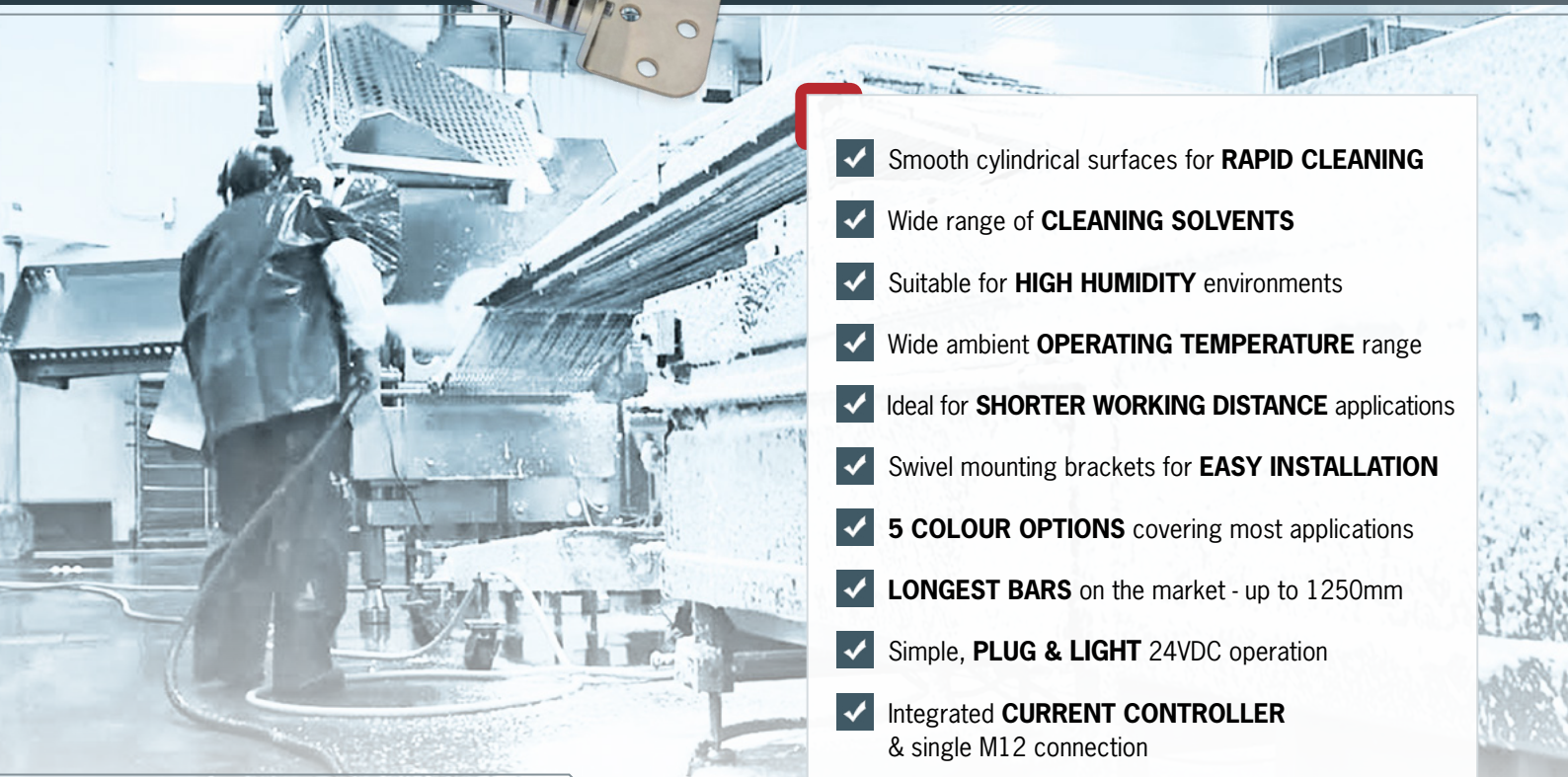


WATERPROOF **IP69K** WASHDOWN **BACKLIGHT BARS**

FOR FOOD, BEVERAGE & PHARMACEUTICAL MACHINE VISION APPLICATIONS:

- ➔ Pick & Place robotics
- ➔ Manufacturing Process Control
- ➔ Product, packaging & label inspection
- ➔ Aseptic manufacturing
- ➔ Foreign object detection

IP69K washdown backlight bars provide **HIGH BRIGHTNESS, HIGHLY DIFFUSE ILLUMINATION** in a **reliable package** designed to **withstand** the rigours of harsh chemical cleaning & de-contamination.



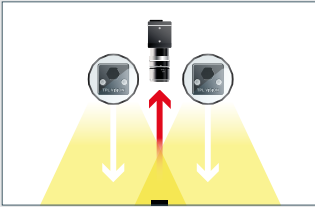
- ✓ Smooth cylindrical surfaces for **RAPID CLEANING**
- ✓ Wide range of **CLEANING SOLVENTS**
- ✓ Suitable for **HIGH HUMIDITY** environments
- ✓ Wide ambient **OPERATING TEMPERATURE** range
- ✓ Ideal for **SHORTER WORKING DISTANCE** applications
- ✓ Swivel mounting brackets for **EASY INSTALLATION**
- ✓ **5 COLOUR OPTIONS** covering most applications
- ✓ **LONGEST BARS** on the market - up to 1250mm
- ✓ Simple, **PLUG & LIGHT** 24VDC operation
- ✓ Integrated **CURRENT CONTROLLER** & single M12 connection
- ✓ **3 YEAR WARRANTY*** ✓ **SHORT LEAD-TIME**



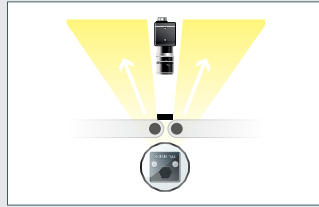
IP69K WASHDOWN LIGHTS are so much more than a light in a waterproof casing! Read our Tech Note to understand **WHY** you may need a **TPL Vision IP69K Washdown light**.

[CLICK OR SCAN](#)

LIGHTING METHODS



DIRECT



BACKLIGHT

SUITABLE FOR HARSH FOOD & CHEMICAL ENVIRONMENTS.

Direct high power version available: see **Waterproof IP69K Washdown Barlights**.

LIGHTING POWER

68500 Lux

Power measured on the diffusing surface
White LED

APPLICATIONS



DIRECT



BACKLIGHT

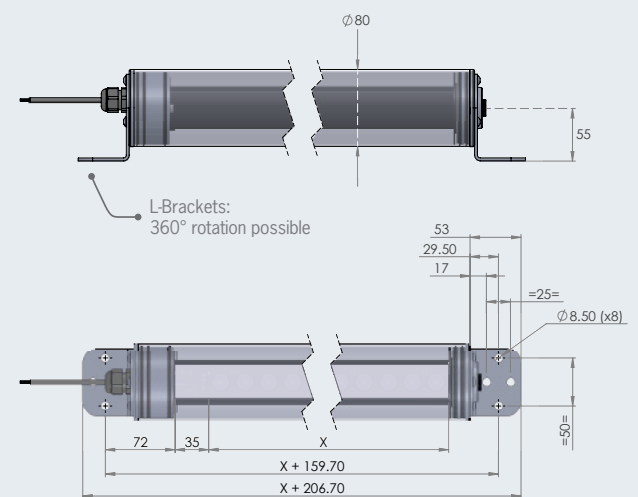
TECHNICAL DATA

Operating voltage	24 VDC
Supplied cable length	5 meters
Operating modes	Continuous and Strobe
Trigger (strobe) mode	PNP & NPN
Rise time / Fall time	15 μ s / 10 μ s
Dimming control	Yes, 100% - 35%
Ambient temperature	-20°C to +60°C (-4°F to +140°F)**
Ambient humidity	80% max
IP rating	IP69K (IEC 60529)
Housing	316L stainless steel / food grade PPMA
L-Brackets (included)	Design permits 360° rotation of light
Warranty	3 years (UV: 1 year) * See www.tpl-vision.com/warranty

COLOURS:



SIZE OPTIONS



X = illumination length (see reference builder).
All sizes in millimetres (mm).

Cleaning Agents: 100+ industry accepted products, see user guide for complete list.

** See Technical User Guide

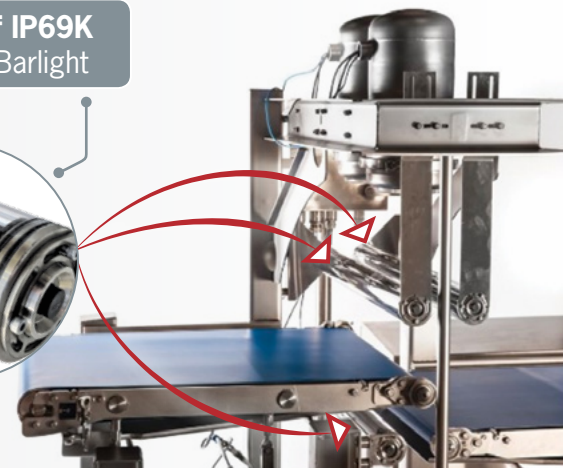
“TPL Vision has the best solutions for IP69K lights on the market.

We searched the world and have tried many different lights, but nothing comes close to TPL's quality.

They have helped us surpass the industry standard and have taken our product to the next level.”

Jeff Youngs, President and CEO, ProSpection Solutions, LLC

Waterproof IP69K Washdown Barlight



REFERENCE BUILDER

BLBAR	LENGTH (cm)	WAVELENGTH (nm or WHI)	ENCLOSURE RATING
	125	WHI	IP69K
	250	470	
	375	525	
	500	630	
	625	850	
	750		
	875		
	1000		
	1125		
	1250		

EXAMPLES:

- BLBAR+ IP69K 125mm white LED
➔ BLBAR-125-WHI-IP69K
- BLBAR+ IP69K 500mm green LED
➔ BLBAR-500-525-IP69K
- BLBAR+ IP69K 1 250mm infrared LED
➔ BLBAR-1250-850-IP69K

CABLE

STRAIGHT M12 5P EXTENSION CABLE



2 meters	C-M12-5P-2M
5 meters	C-M12-5P-5M
10 meters	C-M12-5P-10M

NOTE: the product is supplied with an integrated 5-metre cable.

ACCESSORY

SAFETY GLASSES



Reference: EYE-PROTECT

LOAN EQUIPMENT

Loan equipment is available for evaluation.

Please **contact** your TPL Vision Sales Executive for more information:

contact@tpl-vision.co.uk

Ref:TS-070401-A1, 06/2020 Edition.

“TPL Vision is a true partner. TPL provides outstanding service and support. We have found their responsiveness to be unmatched in the industry.”

Jeff Youngs, President and CEO, ProSpection Solutions, LLC



PHONE +44 (0)1738 310 392

EMAIL contact@tpl-vision.co.uk

www.tpl-vision.com



R.J. Wilson, Inc.
Imaging Components for Industry & Science

www.rjwilson.com
sales@rjwilson.com
781-335-5500